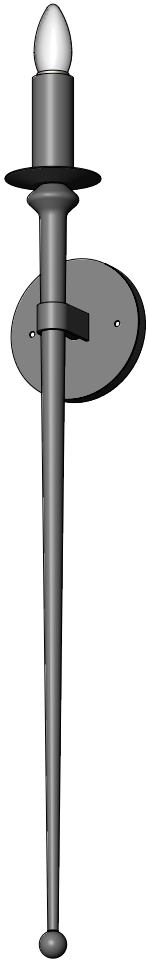


ANGLED VIEW

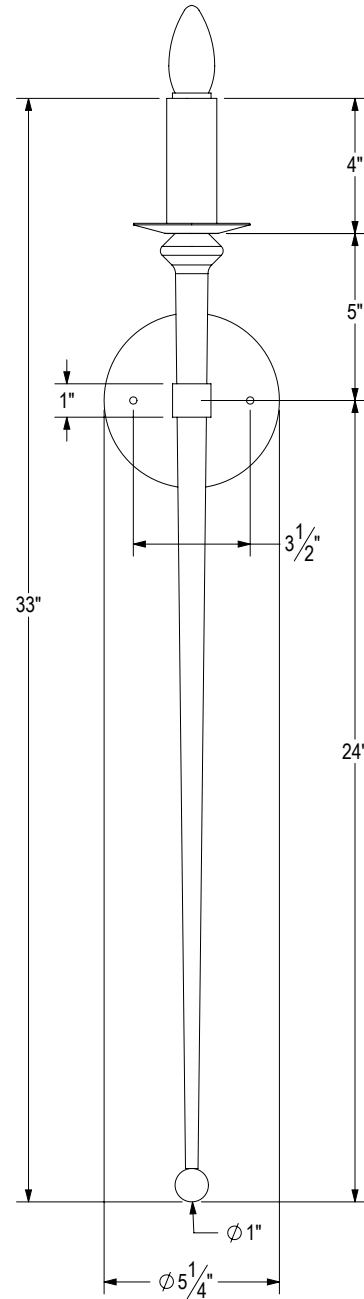


CSTA 0027 SC
Custom Scence

BACKPLATE:	Custom
CHAIN:	N/A
BASE:	Medium standard
NO. LIGHTS:	1
SOCKET COVER:	Iron
FINISH:	Tier 1 matte black
WEIGHT:	4 lbs
DRAWING:	Ever Roa

06/05/2022

FRONT VIEW



SIDE VIEW

