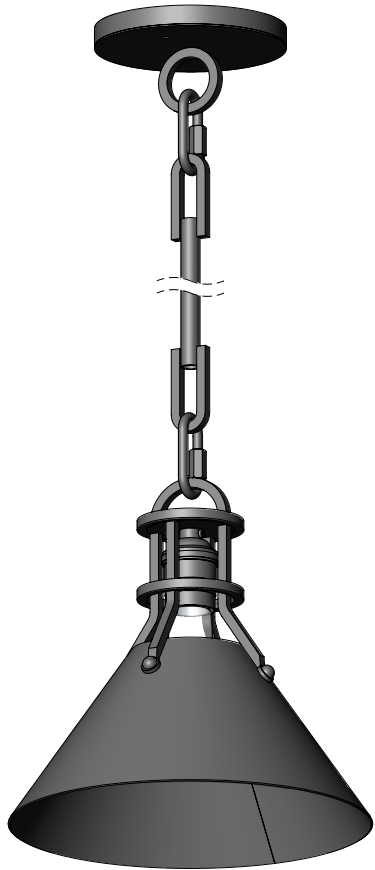


**ISOMETRIC VIEW**



**CST 3788 PN**

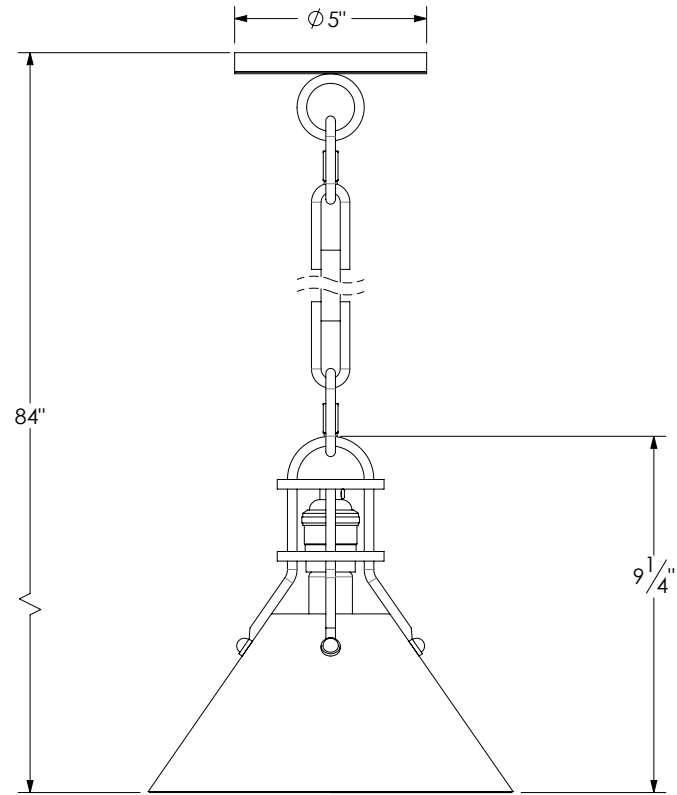
A3

Custom Island Pendant

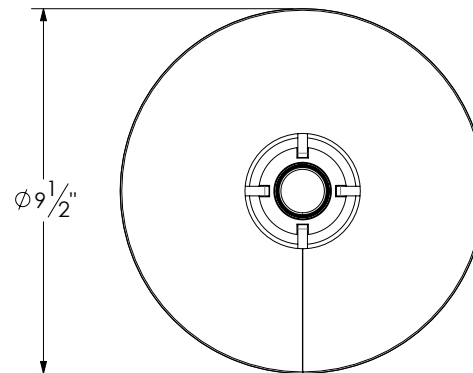
<b>WEIGHT:</b>	6 lbs
<b>CANOPY:</b>	Loop
<b>CHAIN:</b>	Custom
<b>SHADE:</b>	N/A
<b>LENS:</b>	N/A
<b>LIGHT NO.:</b>	1
<b>BASE:</b>	Medium retro
<b>FINISH:</b>	Medium Matte Black
<b>ENGINEERED:</b>	Carlos Quezada

04/08/2021

**FRONT VIEW**



**BOTTOM VIEW**



ISOMETRIC VIEW

