

**ISOMETRIC VIEW**



**CST 3854 LN**

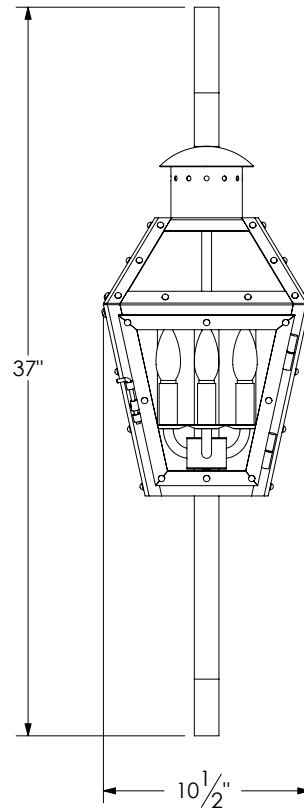
B

Custom Exterior 3 Light Lantern

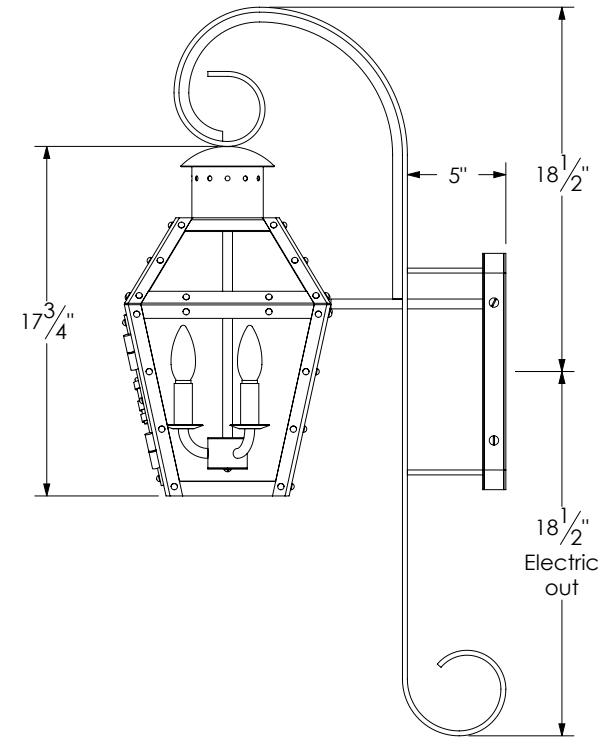
|                    |                           |
|--------------------|---------------------------|
| <b>WEIGHT:</b>     | 25 lbs                    |
| <b>BACKPLATE:</b>  | Custom                    |
| <b>CHAIN:</b>      | N/A                       |
| <b>SHADE:</b>      | N/A                       |
| <b>LENS:</b>       | Clear glass               |
| <b>NO. LIGHTS:</b> | 3                         |
| <b>BASE:</b>       | Candelabra 2"             |
| <b>FINISH:</b>     | Natural Black Powder Coat |
| <b>ENGINEERED:</b> | Ever Roa                  |

25/05/2021

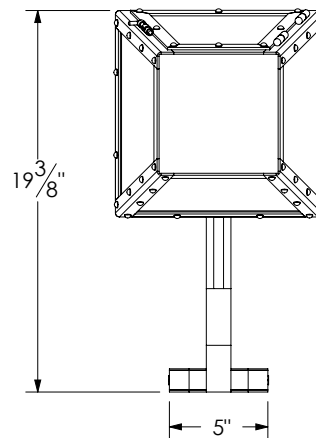
**FRONT VIEW**



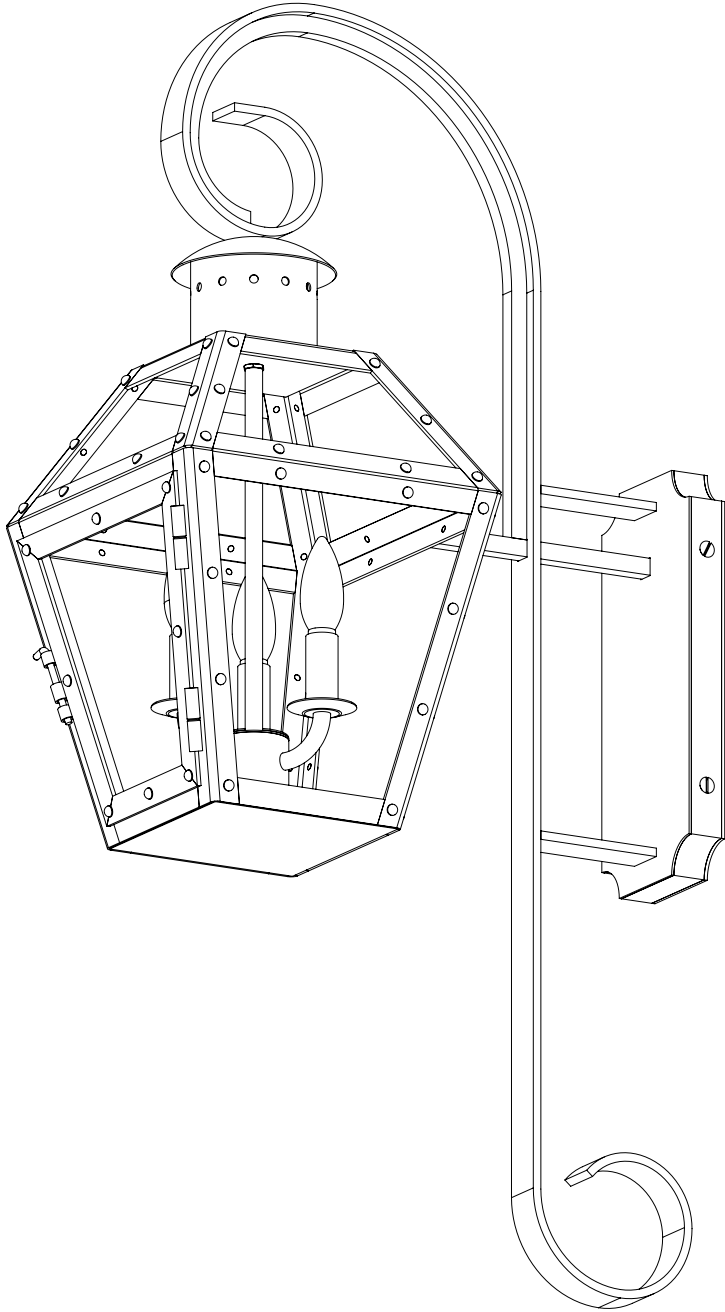
**SIDE VIEW**



**BOTTOM VIEW**

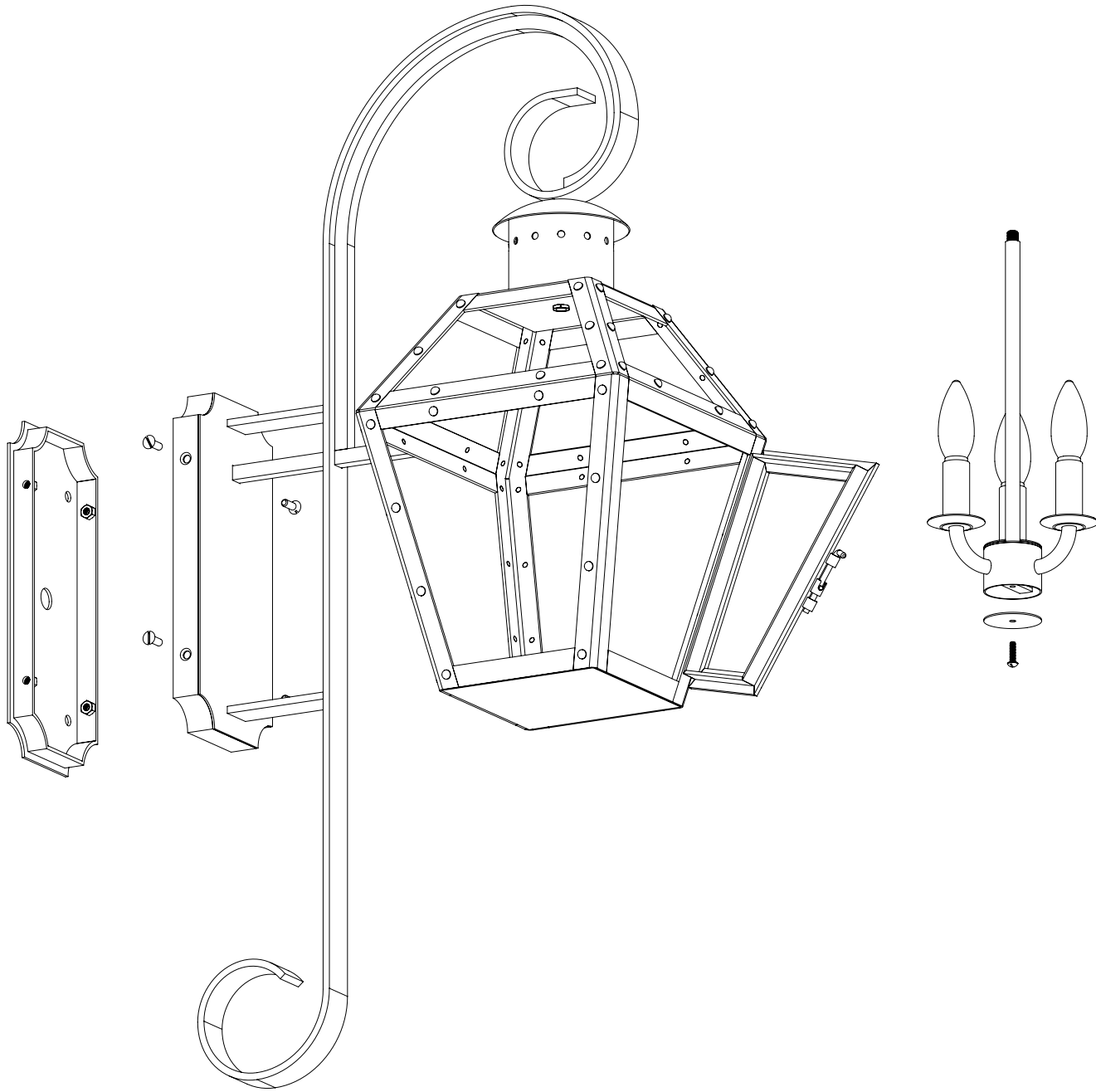


ISOMETRIC VIEW



CST 3854 LN B

EXPLODED VIEW



CST 3854 LN B