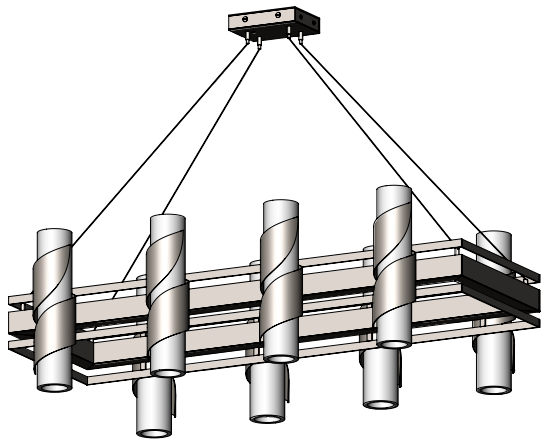


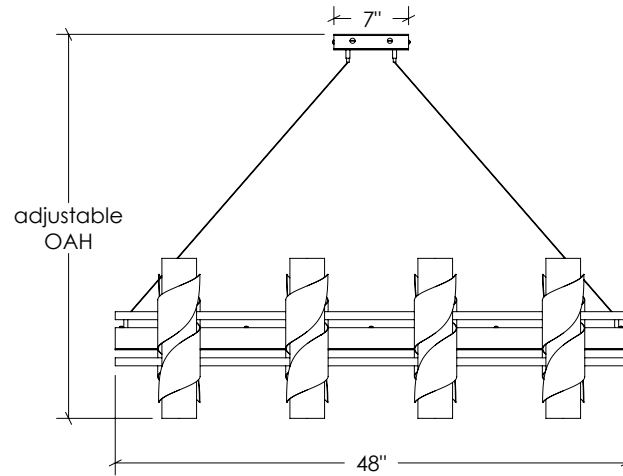
# Santangelo

—Lighting & Design—

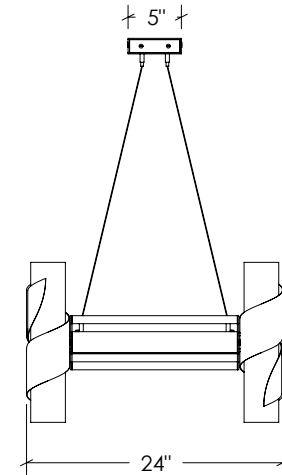
## ISOMETRIC VIEW



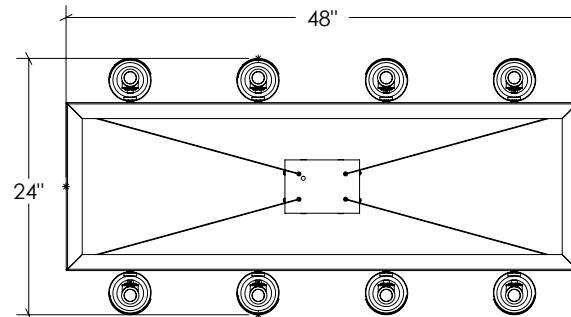
FRONT VIEW



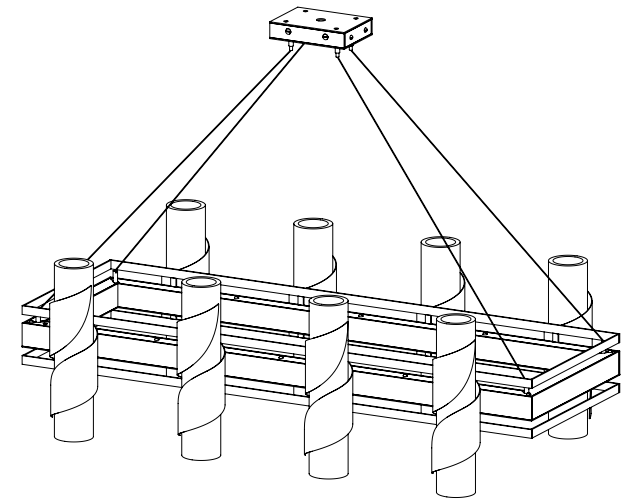
SIDE VIEW



BOTTOM VIEW



MOUNTING DETAIL



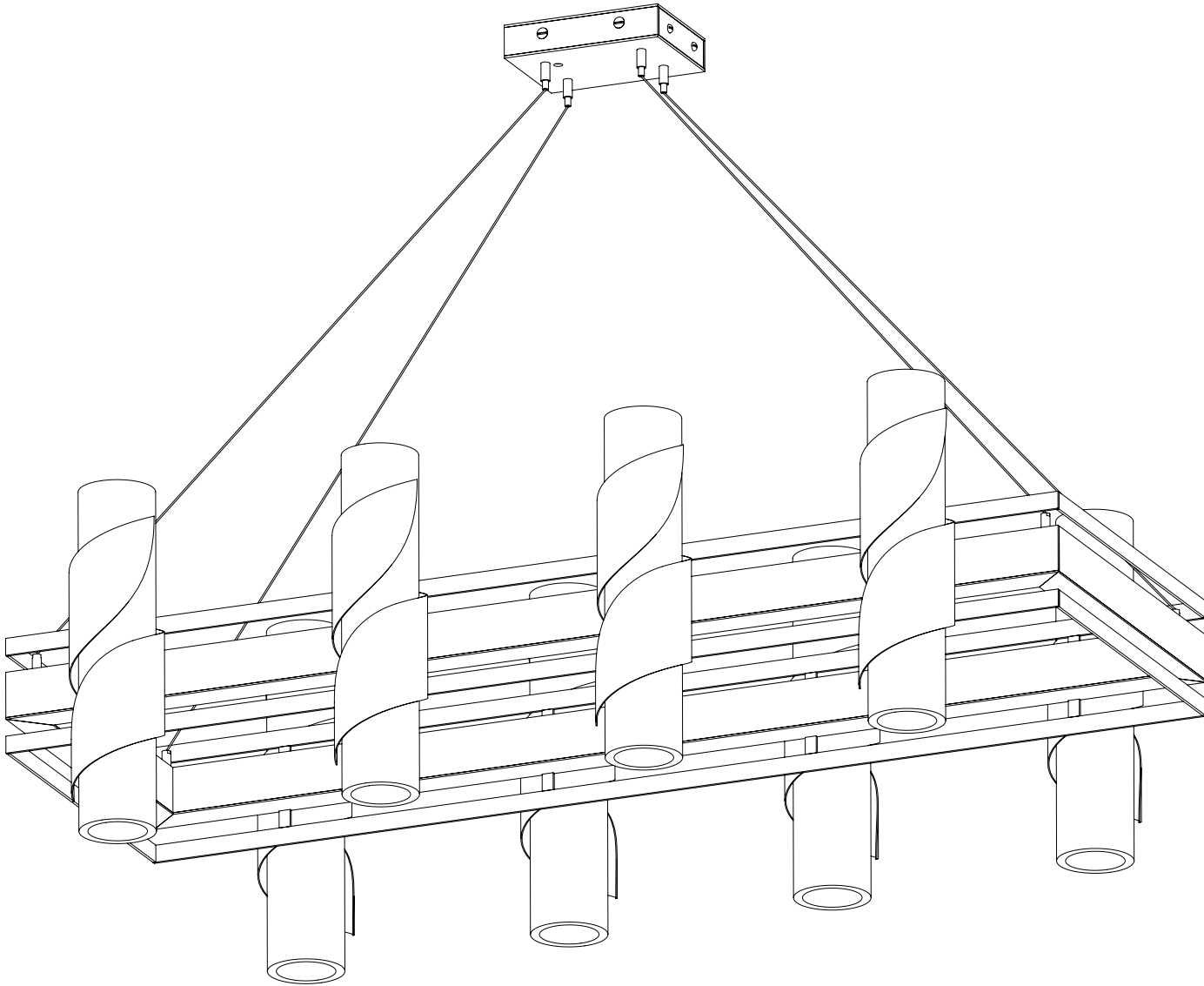
### CST 3382

Zephyr Rectangle Chandelier

<b>WEIGHT:</b>	90 lbs.
<b>CANOPY:</b>	Custom
<b>CHAIN:</b>	N/A
<b>SHADE:</b>	White onyx
<b>LENS:</b>	N/A
<b>LIGHT NO.:</b>	16
<b>BASE:</b>	Medium (Dual Bulb)
<b>FINISH:</b>	Black and Gold
<b>ENGINEERED:</b>	Dalia de la Torre

04/14/2020

ISOMETRIC VIEW



EXPLODED VIEW

