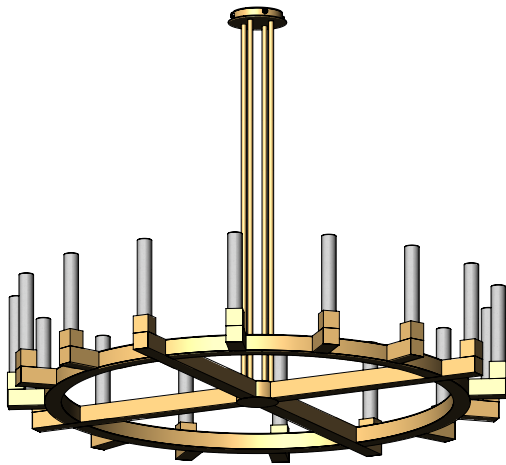


PERSPECTIVE VIEW



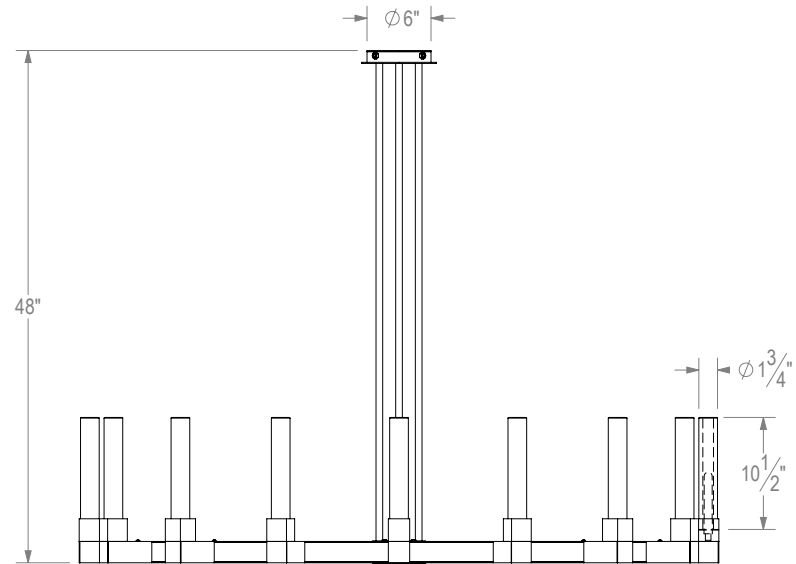
CSTA 0013 CH

Custom Chandelier

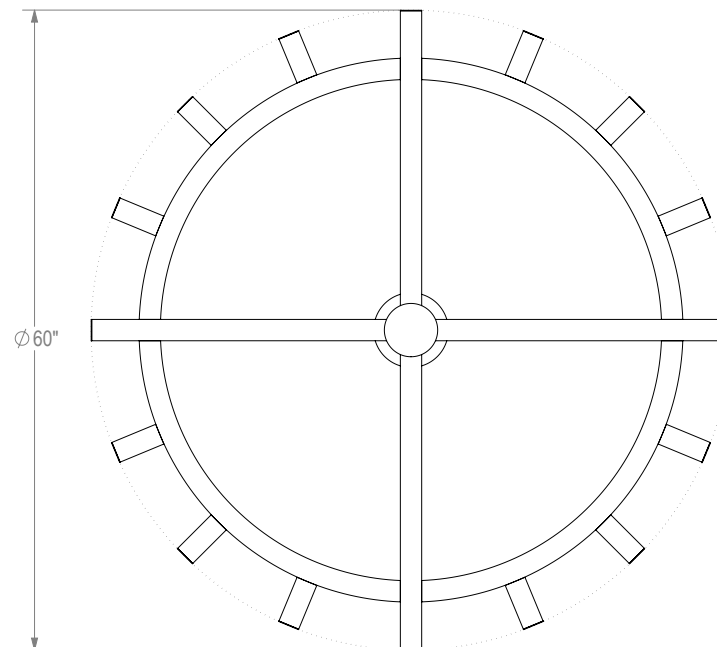
WEIGHT:	87 lbs
CANOPY:	Custom
CHAIN:	N/A
Shade	Custom White onyx
NO. LIGHTS:	16
BASE:	Candelabra 2"
FINISH:	Tier 1 gold
DRAWING:	Carlos Quezada

12/13/2021

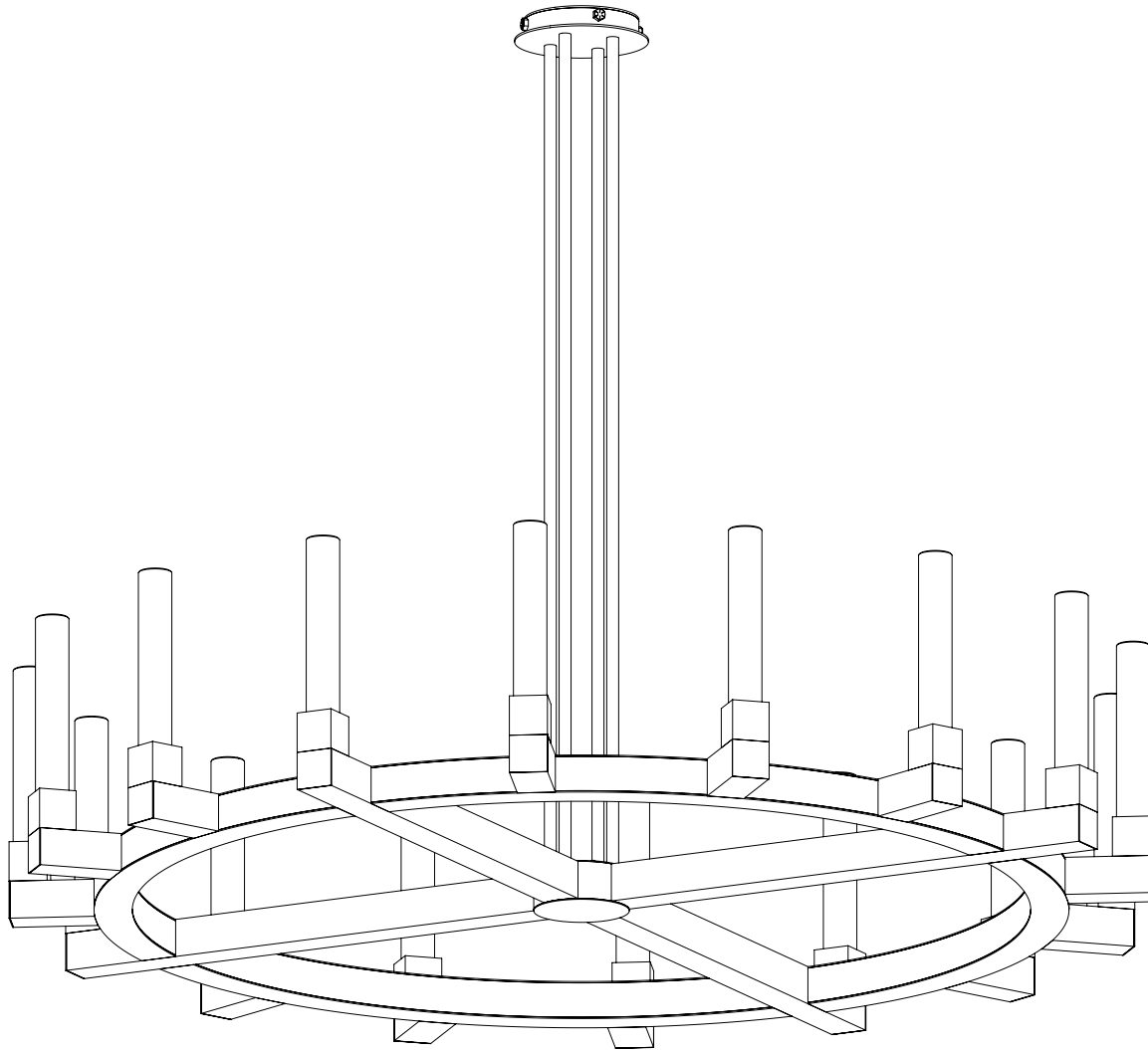
FRONT VIEW



BOTTOM VIEW

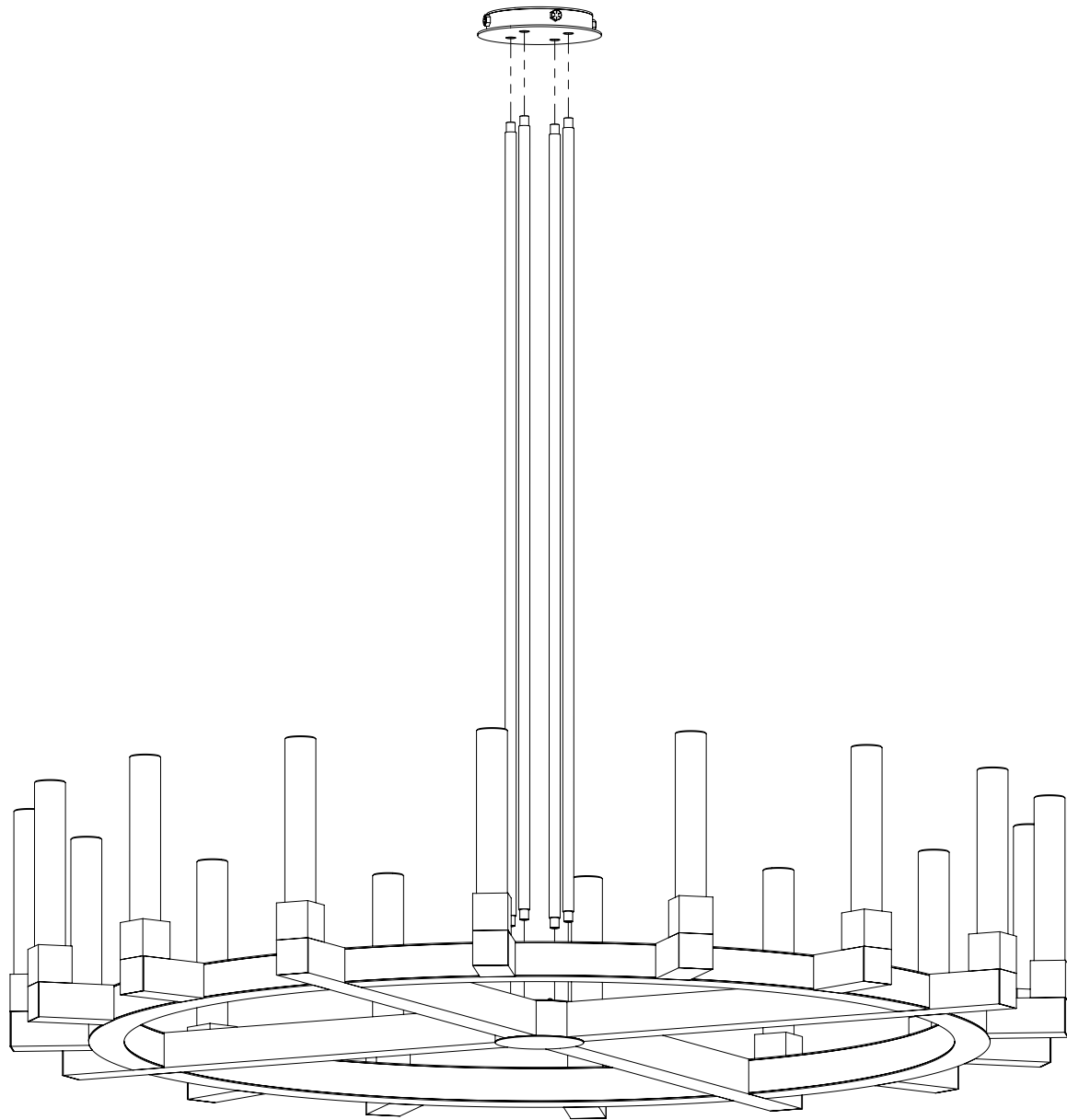


PERSPECTIVE VIEW



CSTA 0013 CH C

EXPLODED VIEW



CSTA 0013 CH C