

PERSPECTIVE VIEW

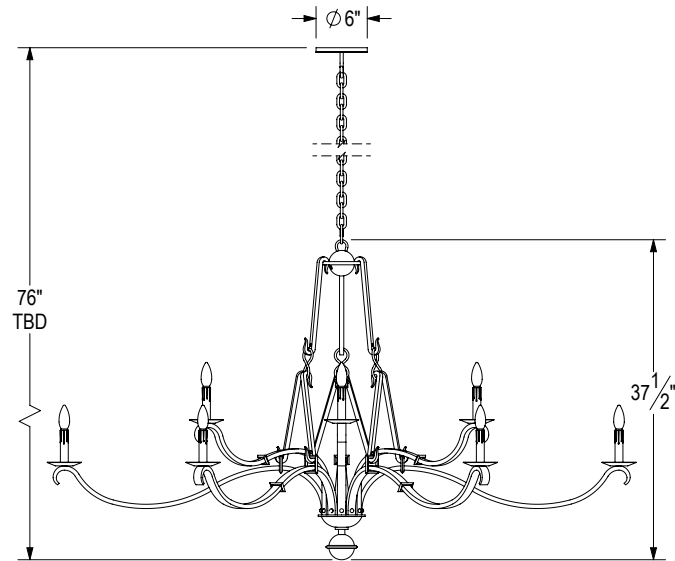


CSTA 0003 CH
Custom Chandelier

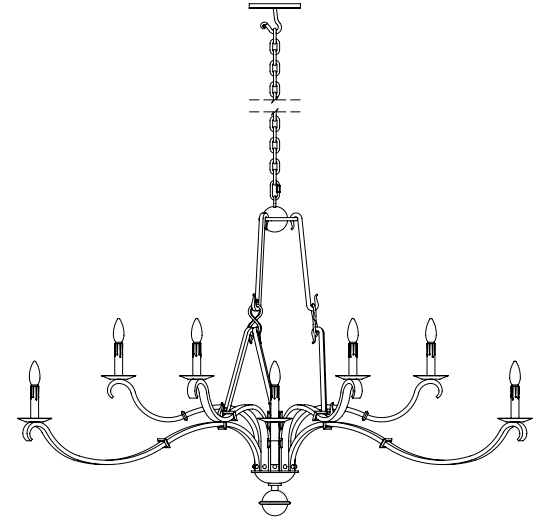
WEIGHT: 36 lbs
CANOPY: Standard
CHAIN: Loop 5/16"
SHADE: N/AN/A
NO. LIGHTS: 12
BASE: Candelabra 4"
FINISH: Matte Black
DRAWING: Ever Roa

08/09/2021

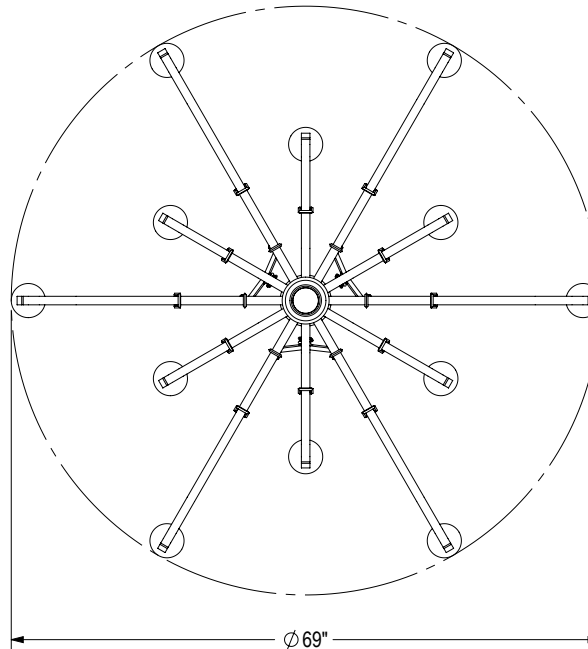
FRONT VIEW



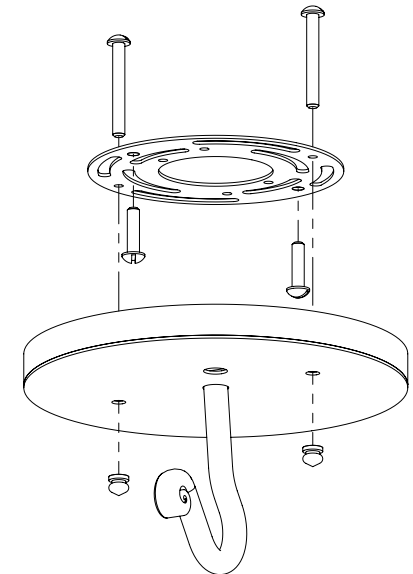
SIDE VIEW



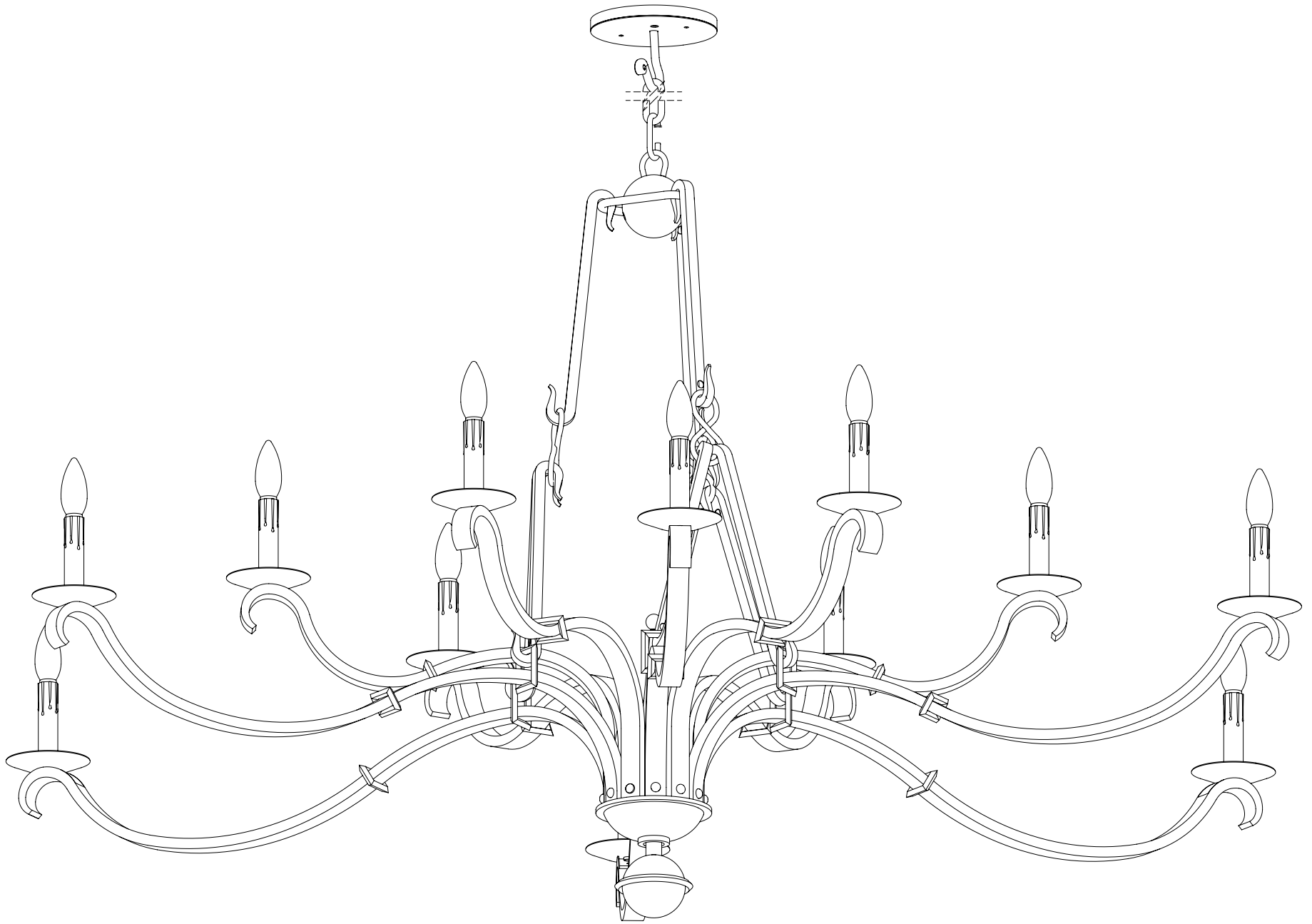
BOTTOM VIEW



MOUNTING DETAIL

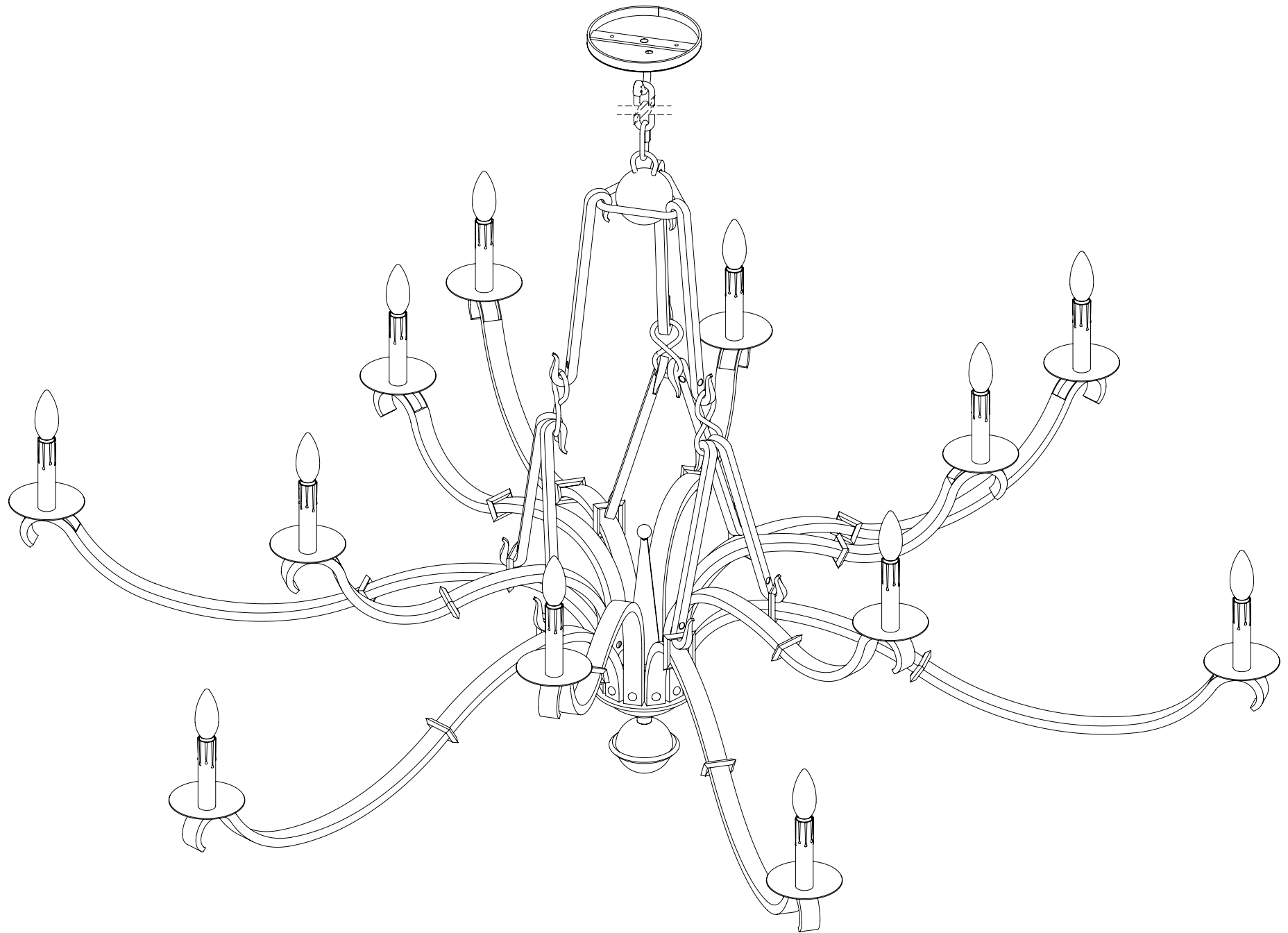


PERSPECTIVE VIEW



CSTA 0003 CH A

PERSPECTIVE VIEW



CSTA 0003 CH A