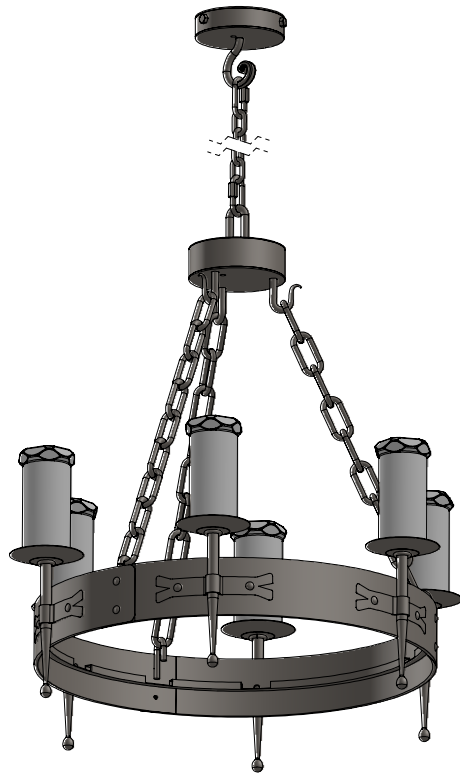


Santangelo

—Lighting & Design—

ISOMETRIC VIEW



CST 3893

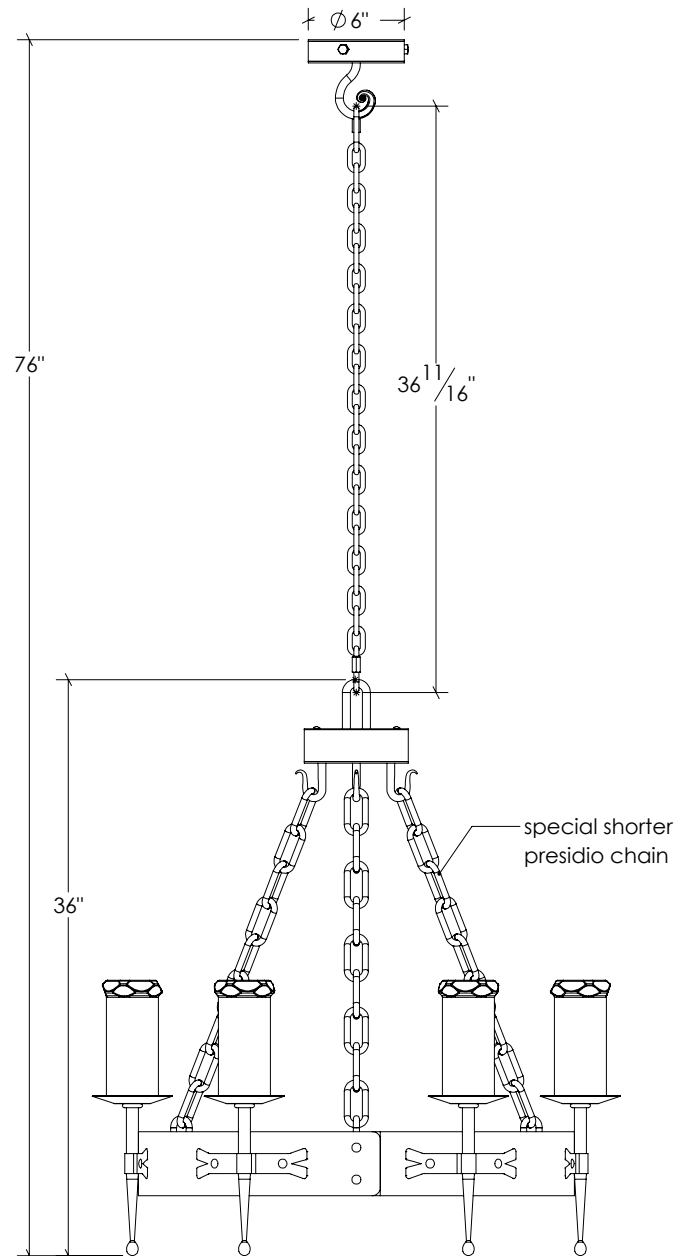
Custom Presidio Chandelier

WEIGHT: 67 lbs
CANOPY: Heavy duty
CHAIN: Loop 5/16"
SHADE: White onyx
LENS: N/A
NO. LIGHTS: 6
BASE: Medium (4")
FINISH: Matte black
ENGINEERED: Dalia de la Torre

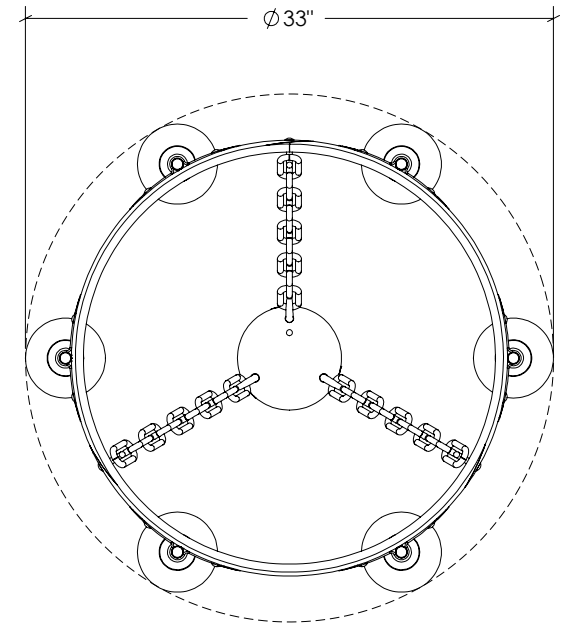
6/22/2021

FRONT VIEW

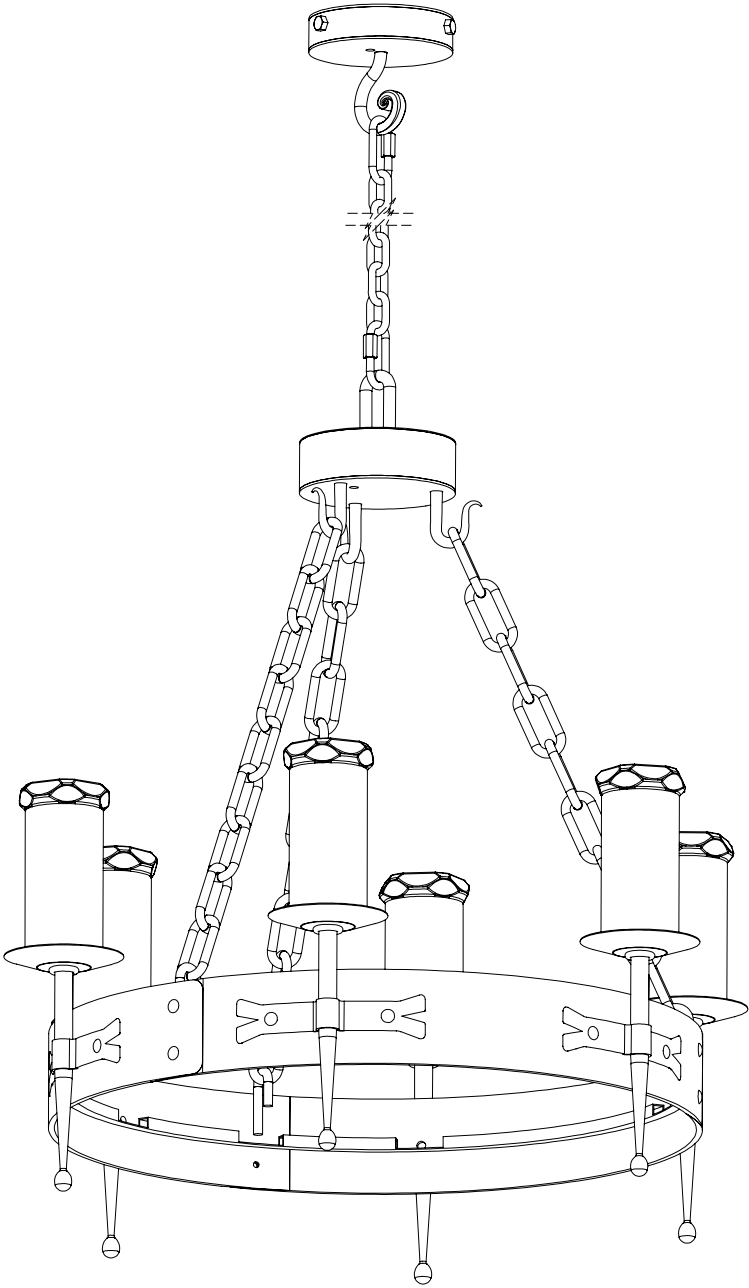
*Hammered body and chain



BOTTOM VIEW



ISOMETRIC VIEW



CST 3893 A