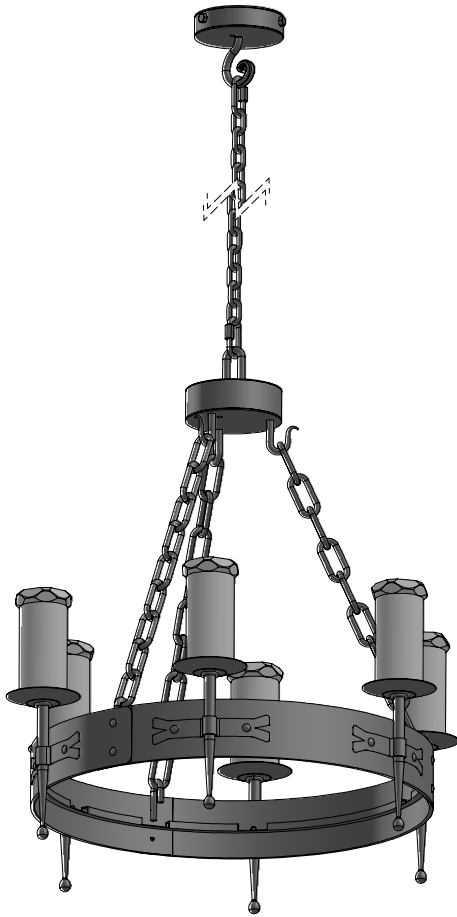


# Santangelo

—Lighting & Design—

## ISOMETRIC VIEW



**CST 3893**

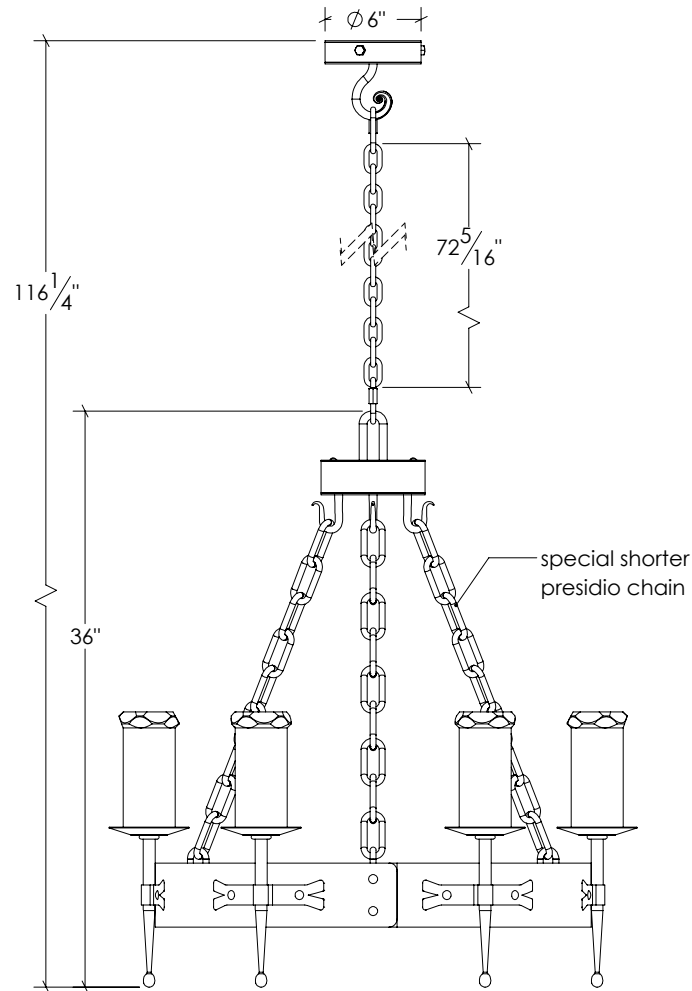
Custom Presidio Chandelier

**WEIGHT:** 70 lbs  
**CANOPY:** Heavy duty  
**CHAIN:** Loop 5/16"  
**SHADE:** White onyx  
**LENS:** N/A  
**NO. LIGHTS:** 6  
**BASE:** Candelabra (4")  
**FINISH:** Matte black  
**ENGINEERED:** Dalia de la Torre

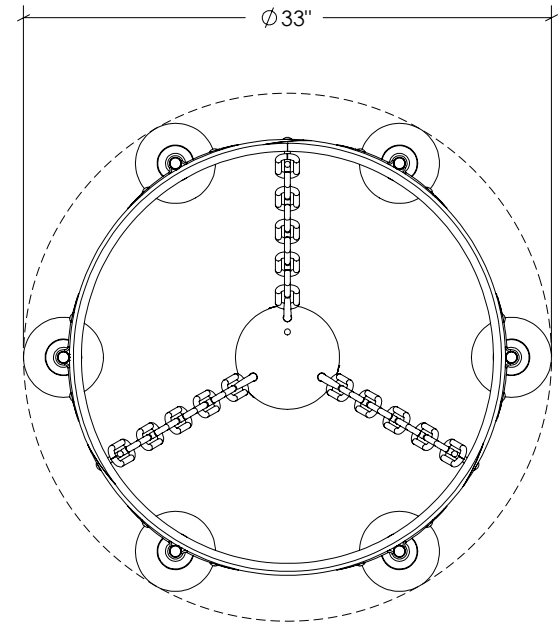
30/06/2022

## FRONT VIEW

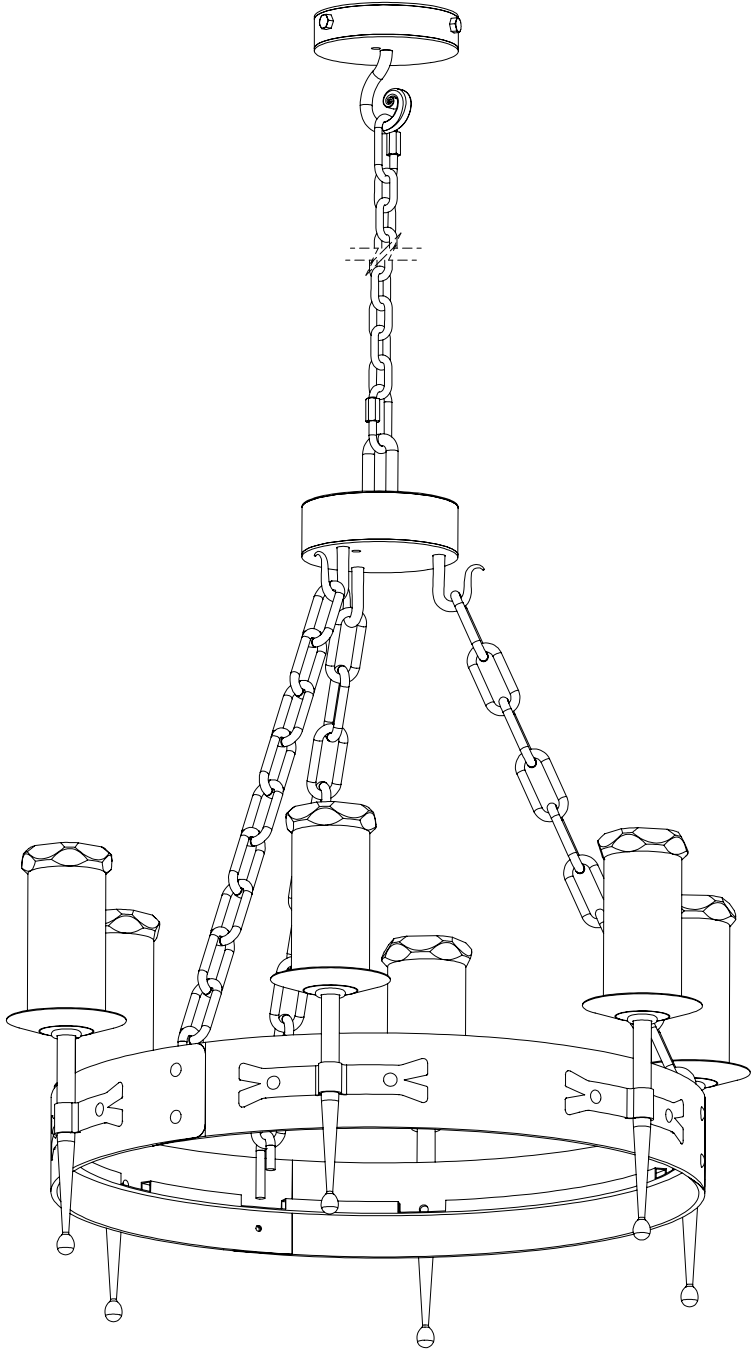
\*Hammered body and chain



## BOTTOM VIEW



ISOMETRIC VIEW



CST 3893 A2