

**PERSPECTIVE VIEW**



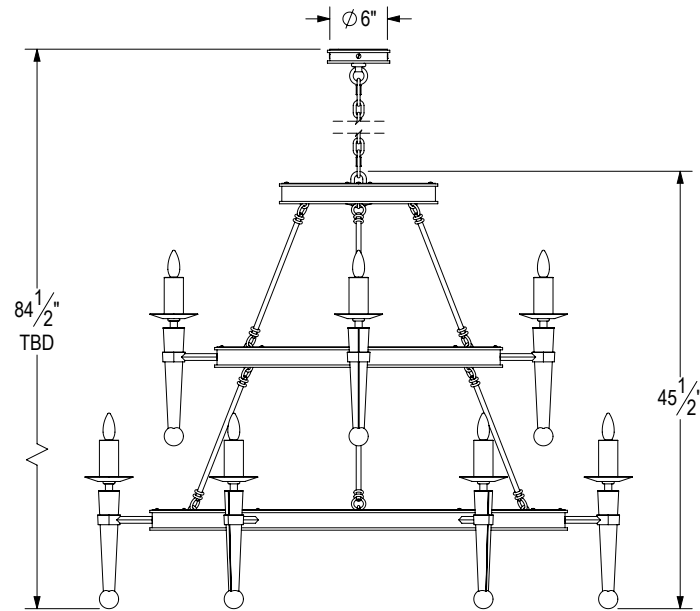
**CSTA 0004 CH**

Custom Chandelier

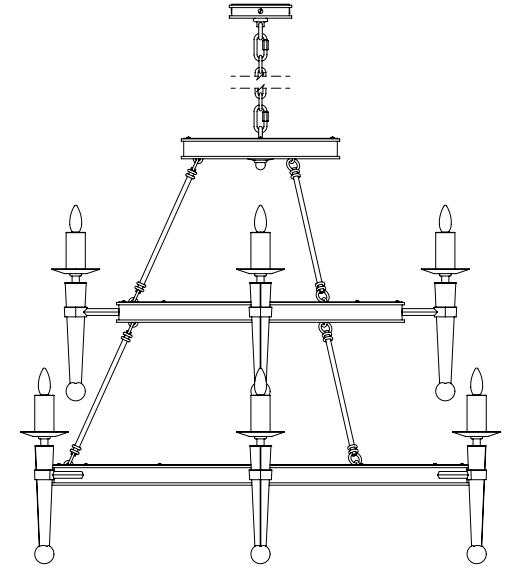
<b>WEIGHT:</b>	92 lbs
<b>CANOPY:</b>	Custom
<b>CHAIN:</b>	Loop 5/16"
<b>SHADE:</b>	White Onyx Socket Covers
<b>NO. LIGHTS:</b>	10
<b>BASE:</b>	Candelabra 4"
<b>FINISH:</b>	Tier 1 matte black
<b>DRAWING:</b>	Ever Roa

05/05/2022

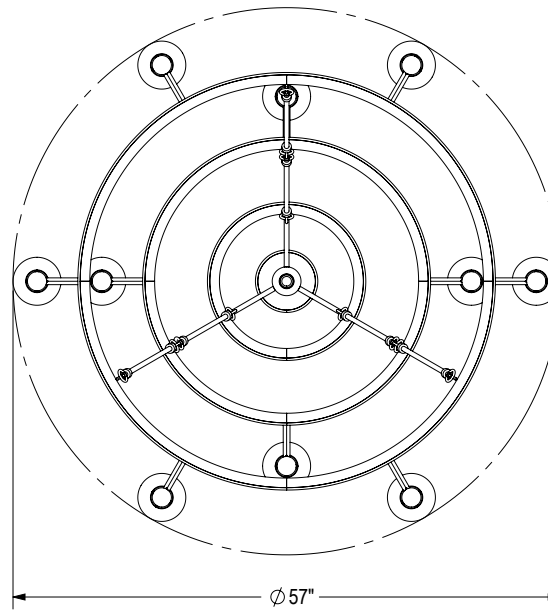
**FRONT VIEW**



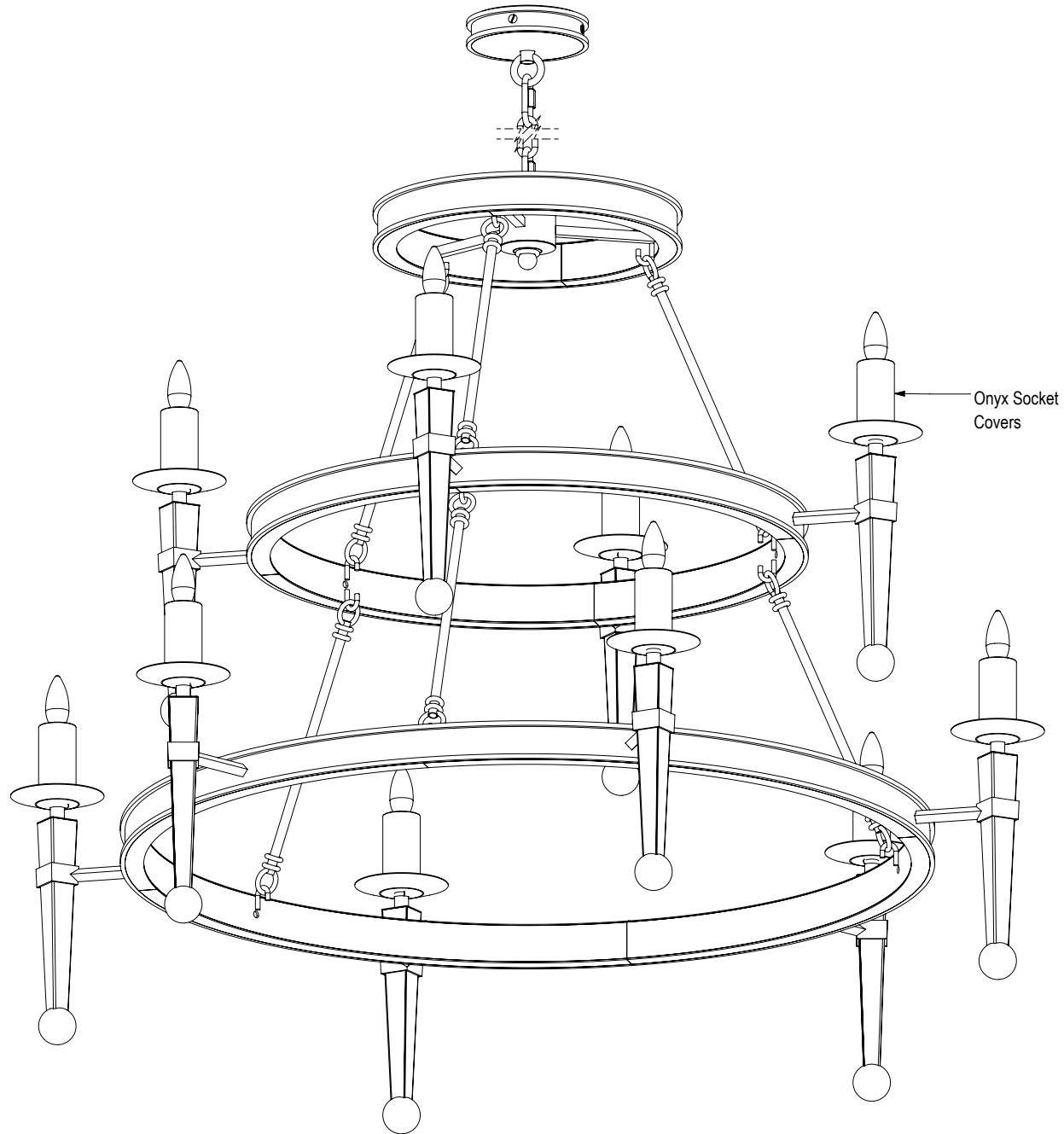
**SIDE VIEW**



**BOTTOM VIEW**



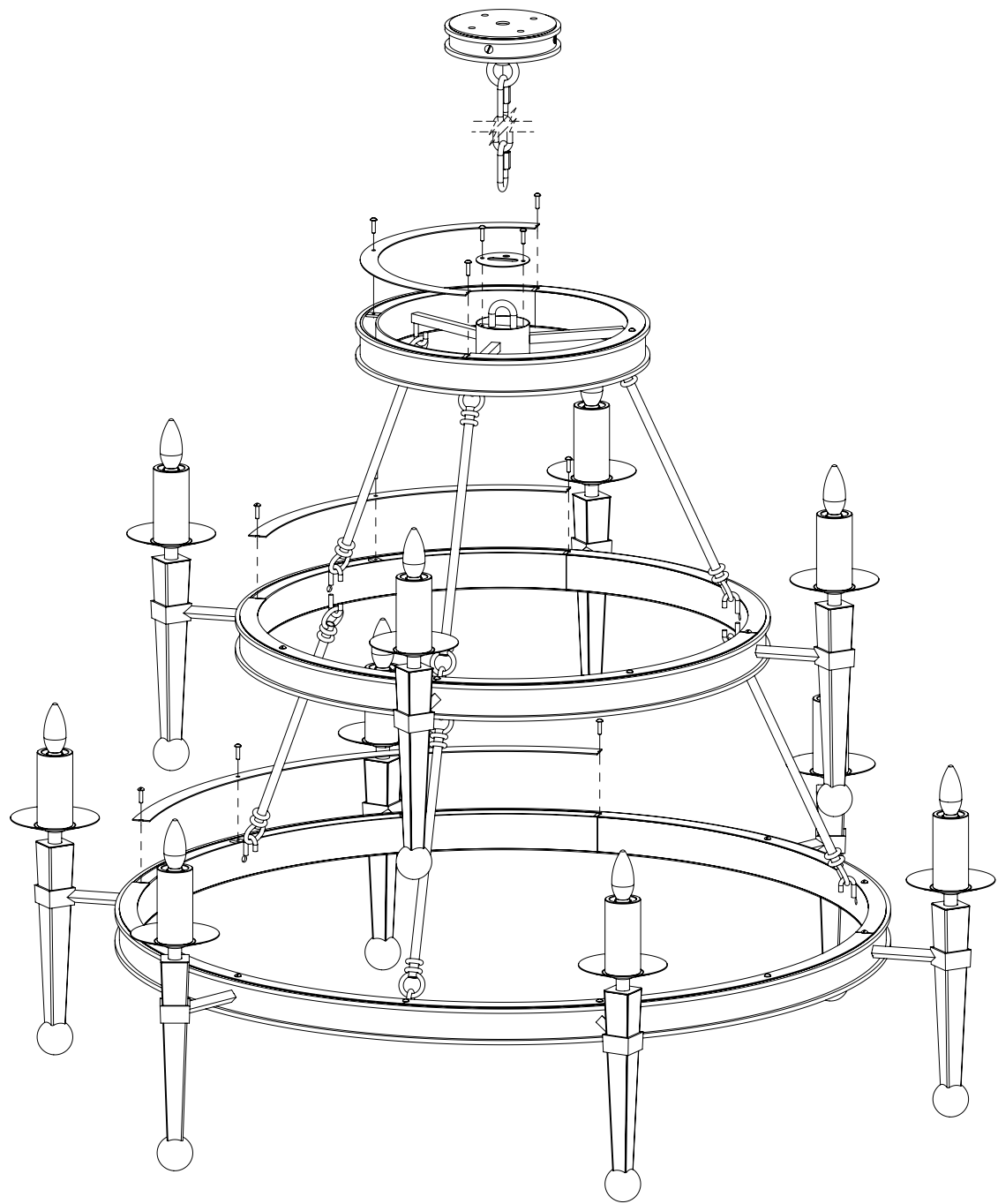
PERSPECTIVE VIEW



Onyx Socket  
Covers

CSTA 0004 CH A

EXPLODED VIEW



CSTA 0004 CH A