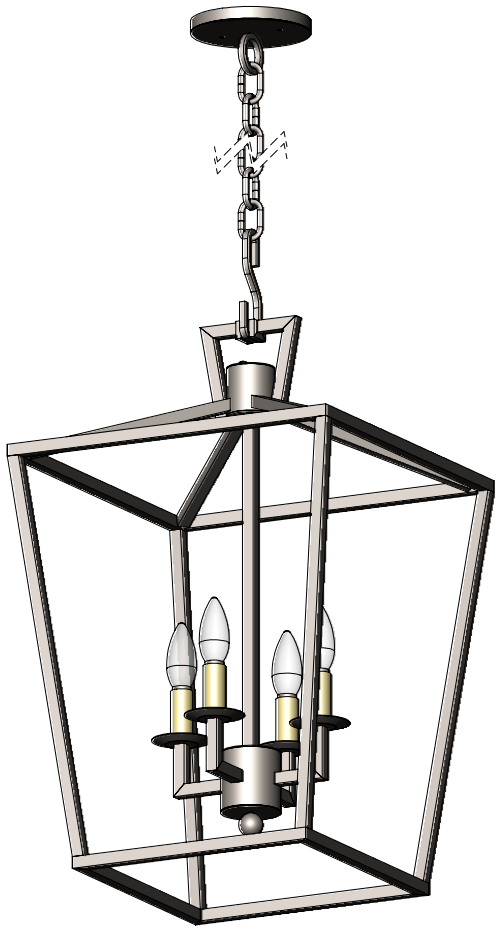


Santangelo

—Lighting & Design—

PERSPECTIVE VIEW



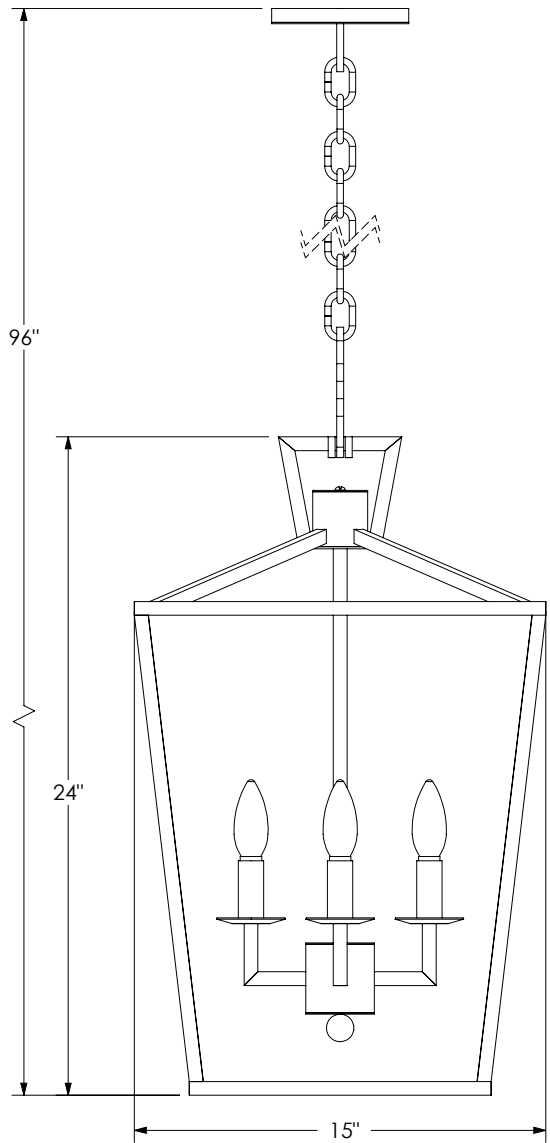
CST 3936

Custom Lantern

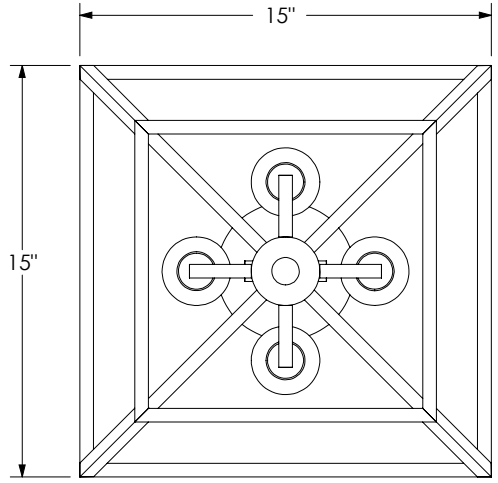
WEIGHT:	11 lbs
CANOPY:	Loop
CHAIN:	Loop 4
SHADE:	N/A
LENS:	N/A
LIGHT NO:	4
BASE:	Candelabra 2"
FINISH:	Matte Black
ENGINEERED:	Dalia de la Torre

17/08/2021

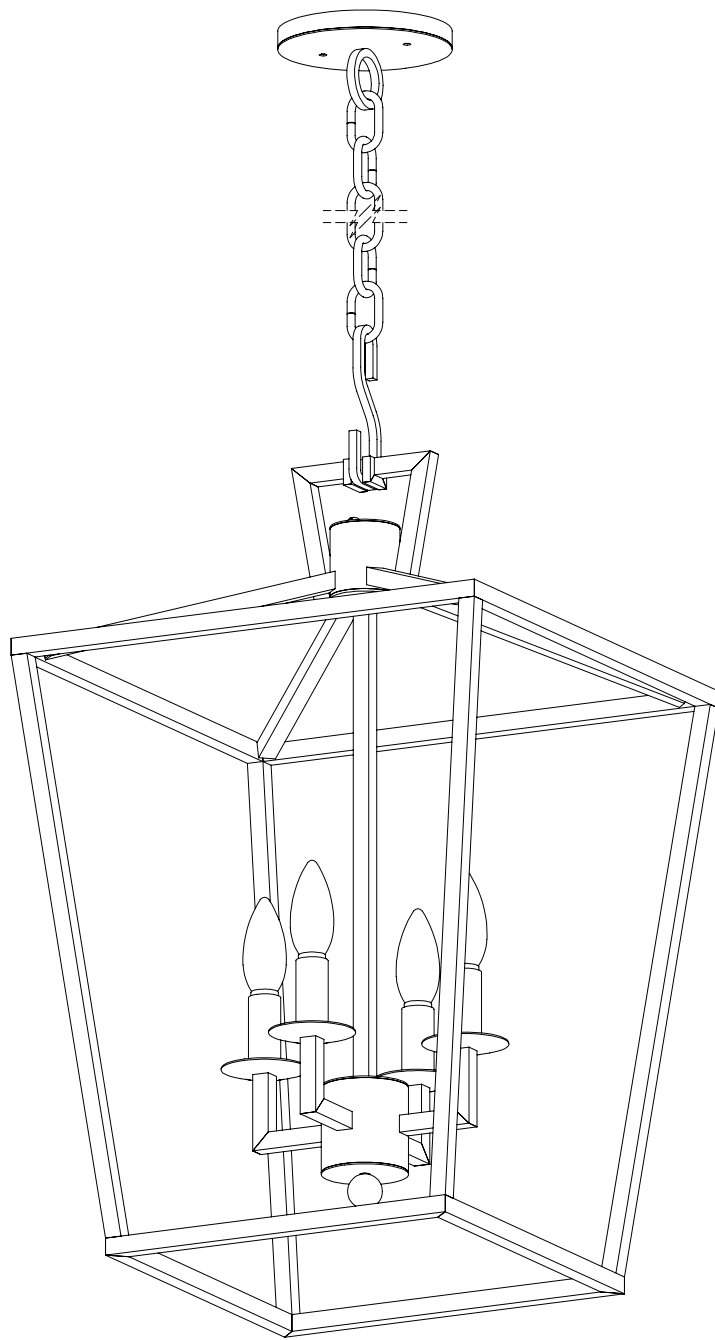
FRONT VIEW



BOTTOM VIEW



PERSPECTIVE VIEW



CST 3936 B