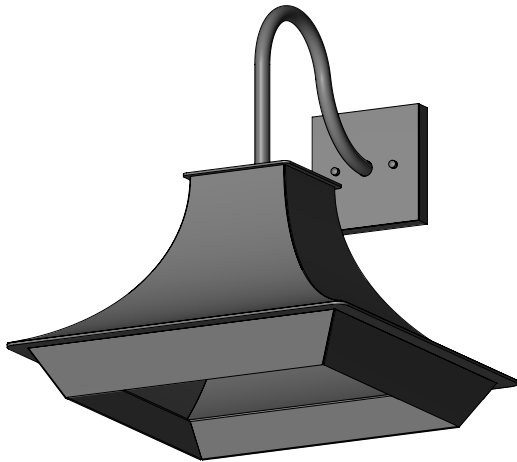
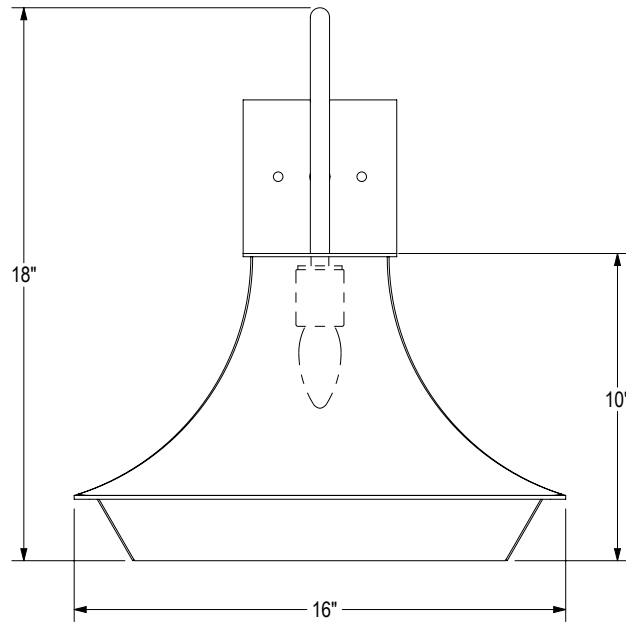


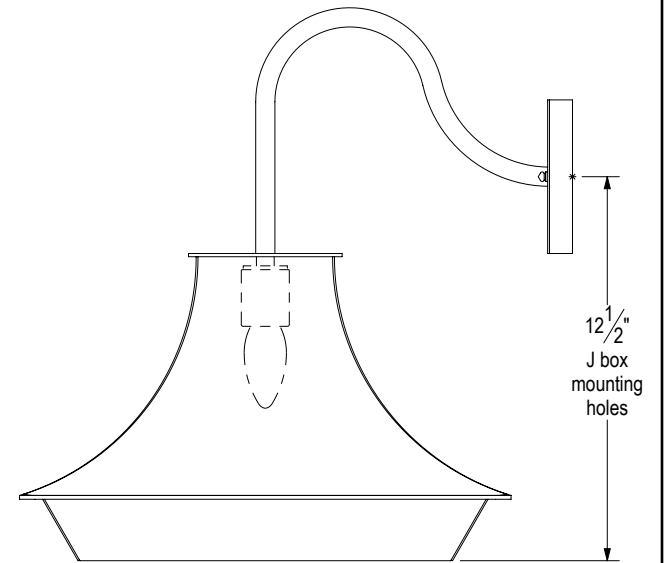
ANGLED VIEW



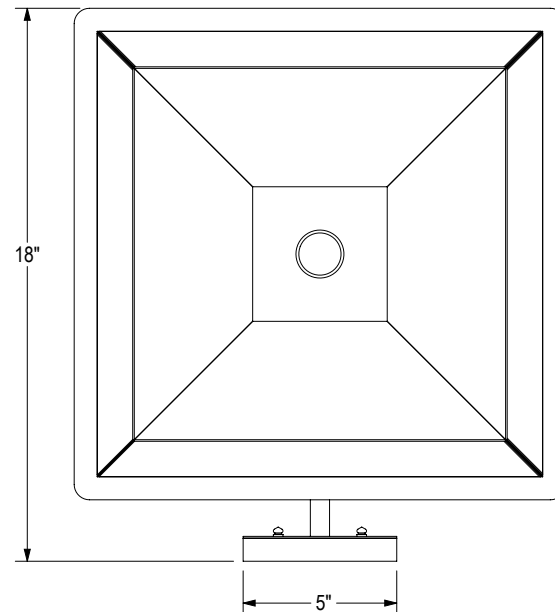
FRONT VIEW



SIDE VIEW



BOTTOM VIEW



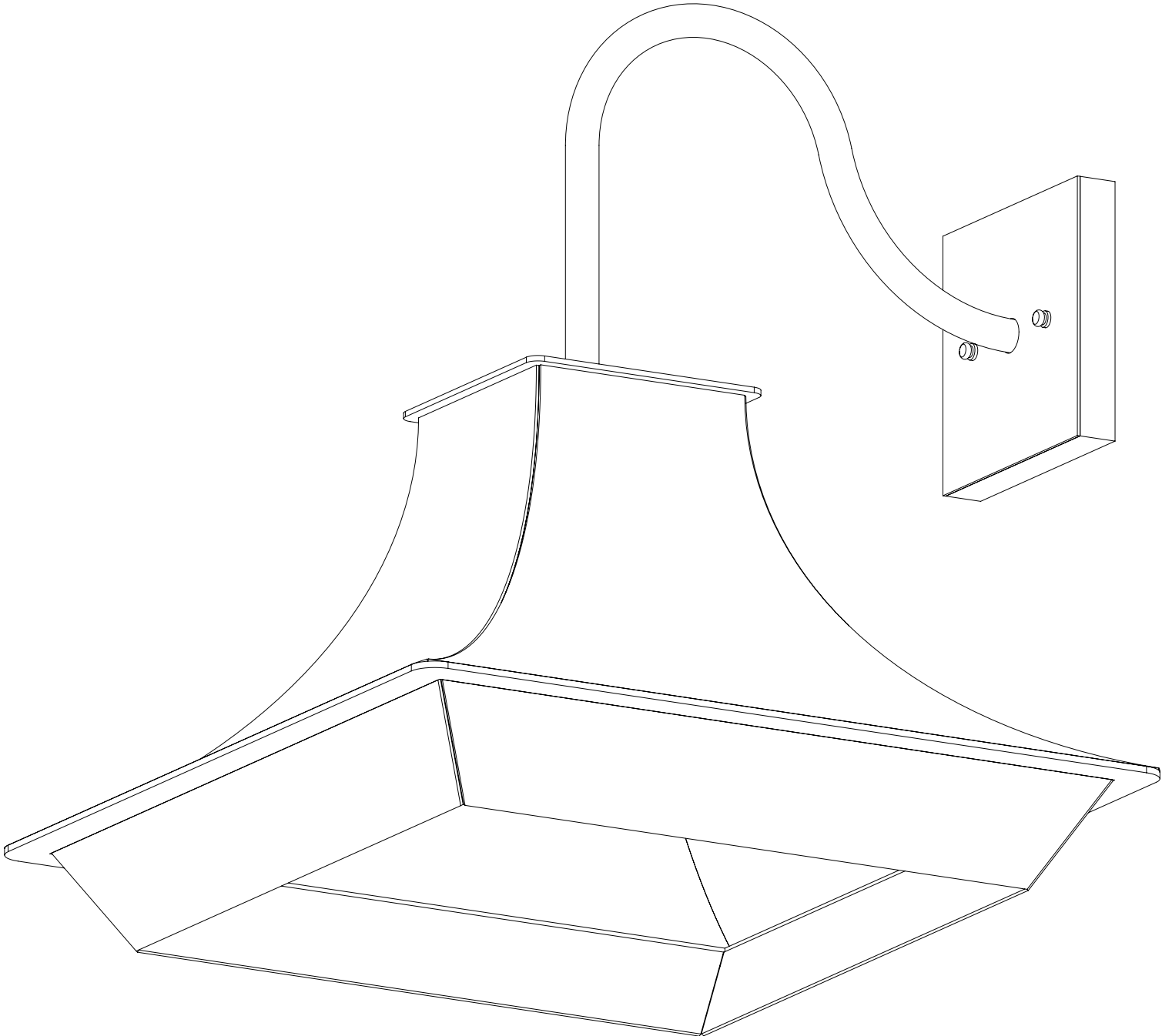
CST 3969 SC
 Custom Sconce

A

BACKPLATE:	Custom
CHAIN:	N/A
BASE:	Medium ground porcelain
NO. LIGHTS:	1
SHADE:	N/A
FINISH:	Tier 1 natural black powder coat
WEIGHT:	12 lbs
DRAWING:	Ever Roa

25/10/2021

ANGLED VIEW



CST 3969 SC A