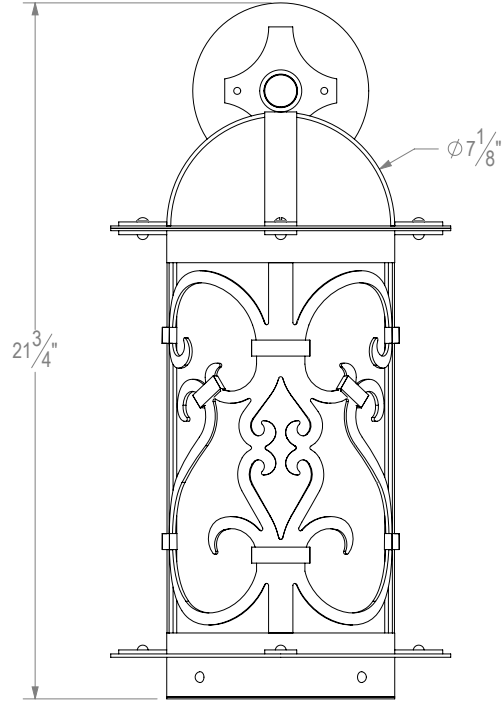


Ashore

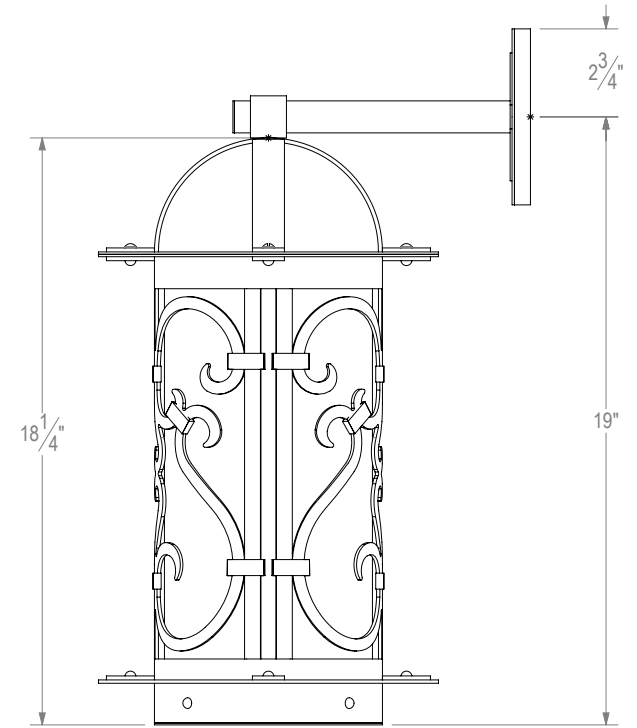
ANGLED VIEW



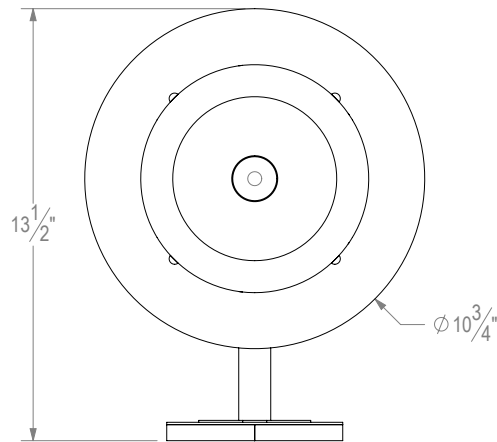
FRONT VIEW



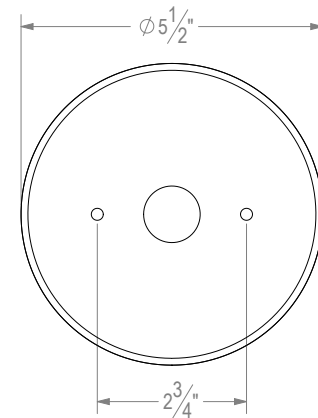
SIDE VIEW



BOTTOM VIEW



MOUNTING DETAIL



CSTA 0055 EX 8

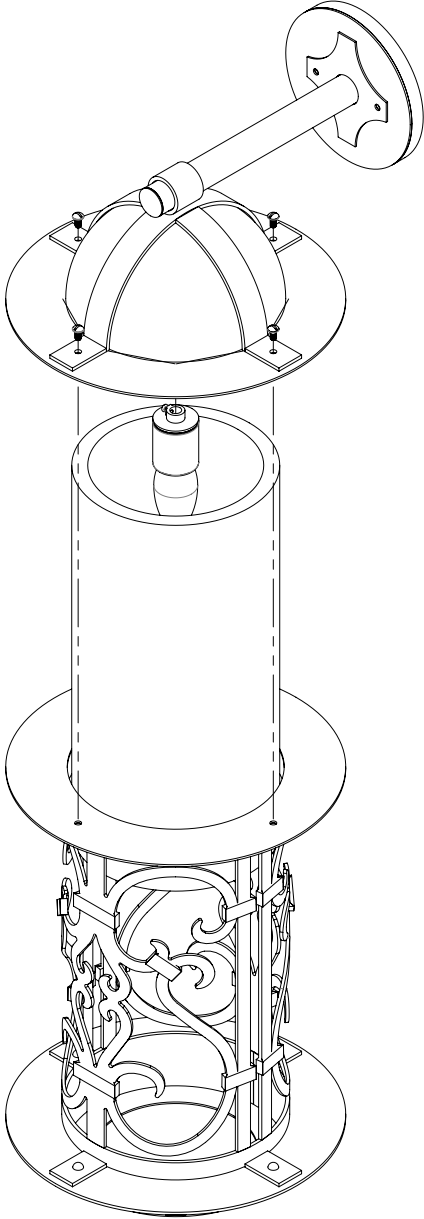
E

Custom Exterior Sconce

BACKPLATE:	Custom
CHAIN:	N/A
BASE:	Medium porcelain
NO. LIGHTS:	1
SHADE:	Amber onyx
FINISH:	Standard powder coat
WEIGHT:	28 lbs
DRAWING:	Carlos Quezada

3/24/2022

ANGLED VIEW



CSTA 0055 EX 8 E

DETAIL VIEWS

