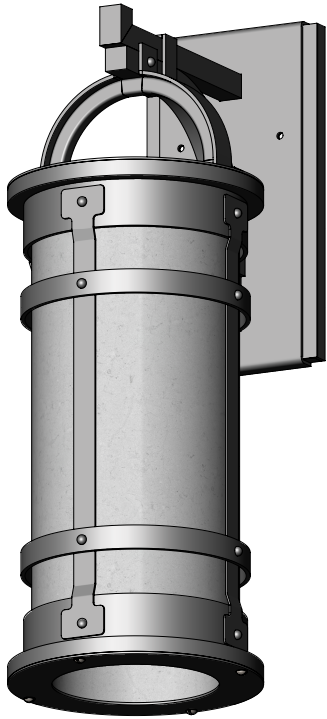
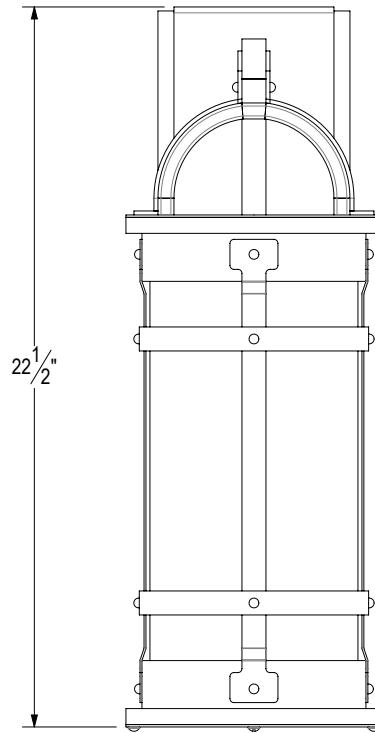


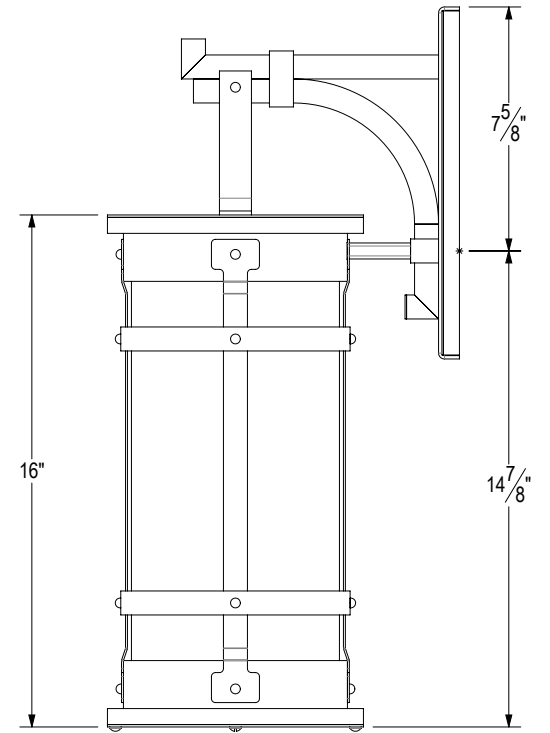
**ANGLED VIEW**



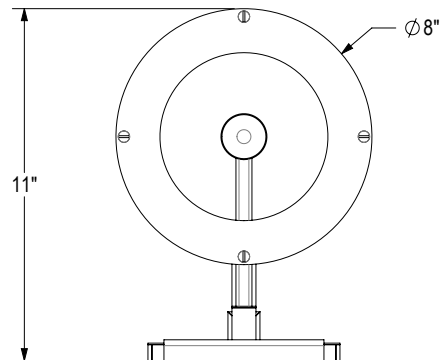
**FRONT VIEW**



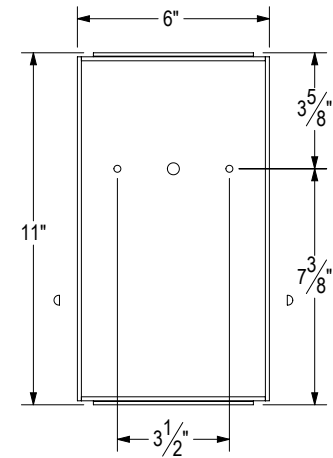
**SIDE VIEW**



**BOTTOM VIEW**



**MOUNTING DETAIL**



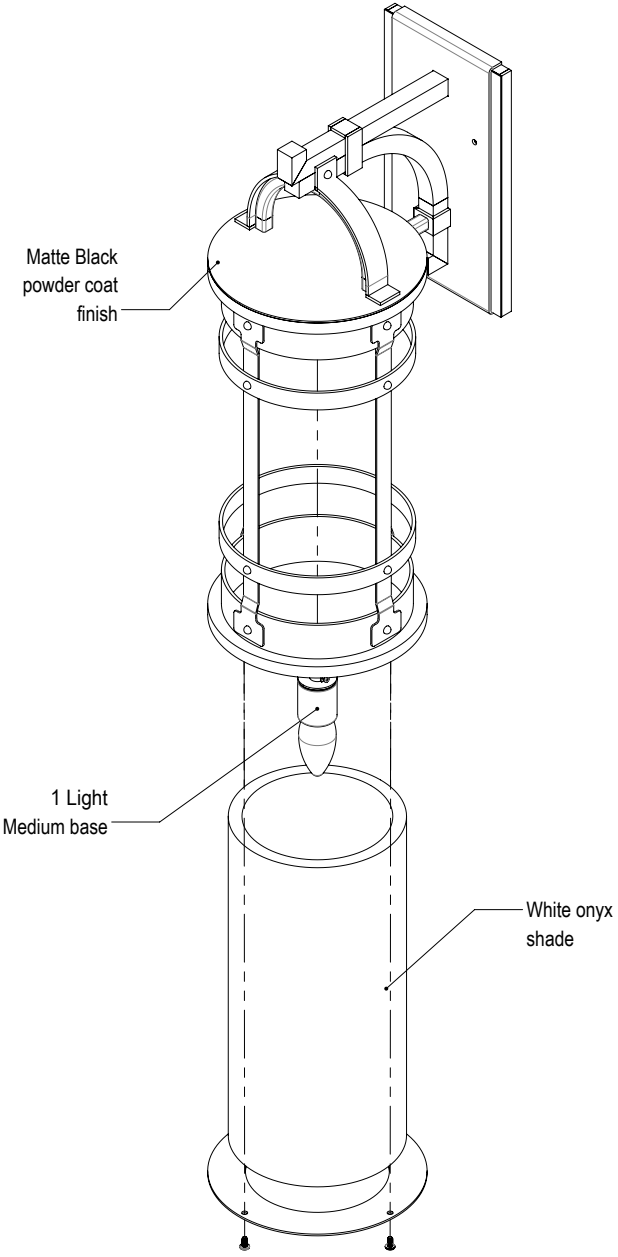
**CSTA 0054 EX 7**

Custom Exterior Sconce

<b>BACKPLATE:</b>	Custom
<b>CHAIN:</b>	N/A
<b>BASE:</b>	Medium porcelain
<b>NO. LIGHTS:</b>	1
<b>SHADE:</b>	White onyx
<b>FINISH:</b>	Tier 1 matte black powder coat
<b>WEIGHT:</b>	32 lbs
<b>DRAWING:</b>	Carlos Quezada

2/18/2022

EXPLODED VIEW



EXPLODED VIEW

